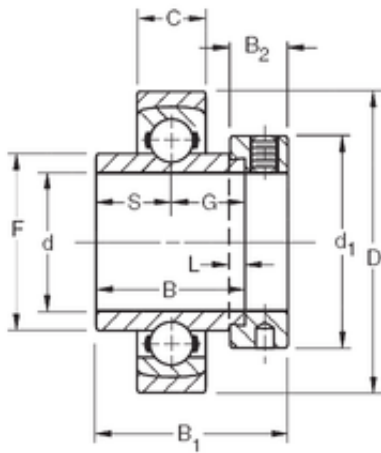




49,2125 mm x 120 mm x 49,21 mm TIMKEN
SMN115KS Insert Bearings Spherical OD



Bearing No. SMN115KS

Size	49.2125x120x49.21 mm
Bore Diameter	49,2125 mm
Outer Diameter	120 mm
Width	49,21 mm
d	49,2125 mm
D	120 mm
B	49,21 mm
C	27 mm
d1	76,2 mm
B1	66,7 mm
B2	22,2 mm
F	68,78 mm
G	24,6 mm
L	4,8 mm
S	24,6 mm
Weight	2,147 Kg
Basic dynamic load rating (C)	68 kN

SMN115KS Bearing 2D drawings and 3D CAD models